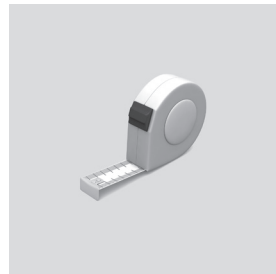
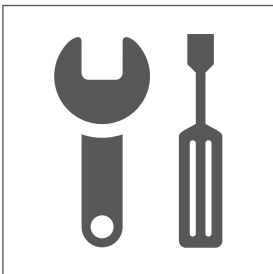
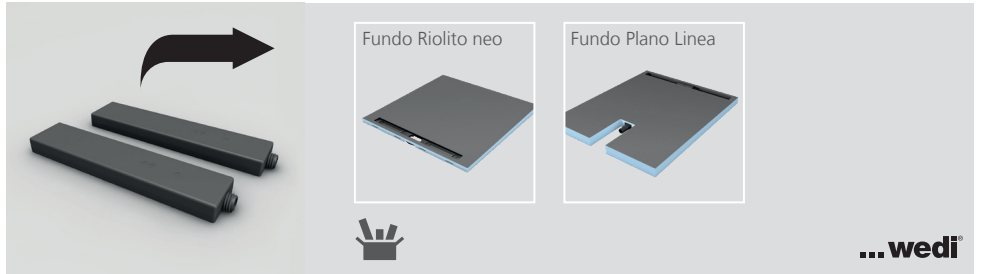
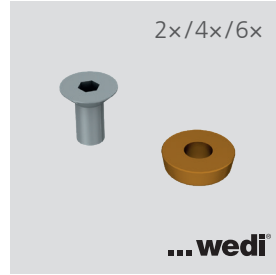
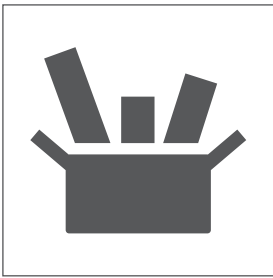
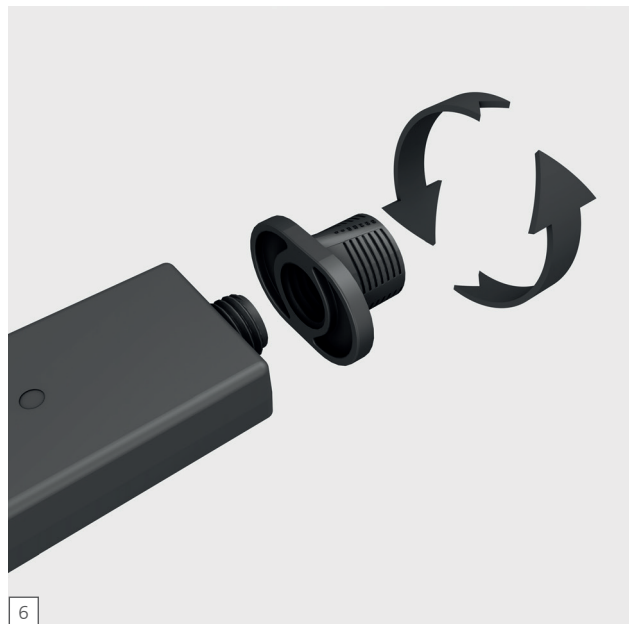
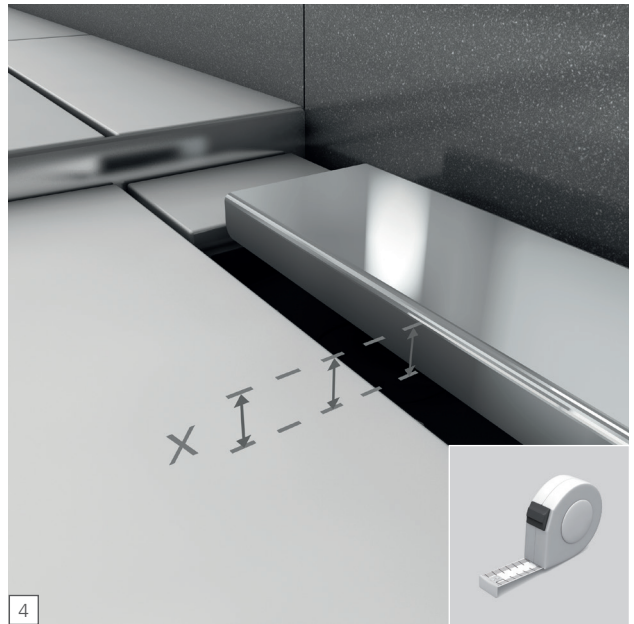
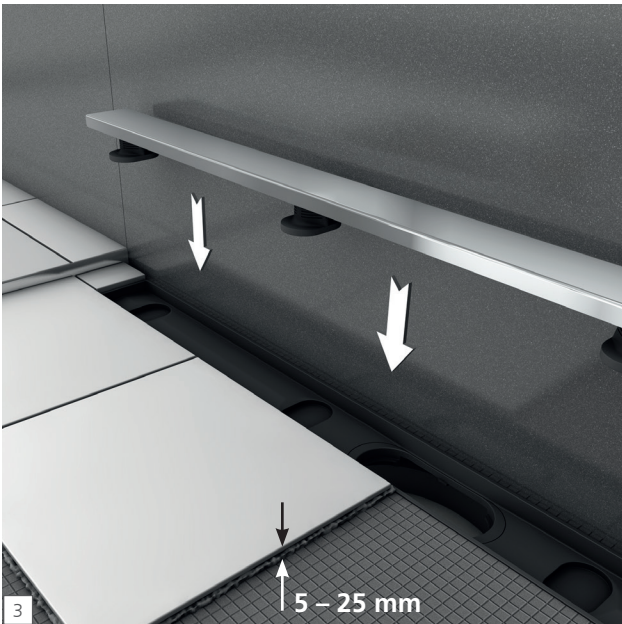
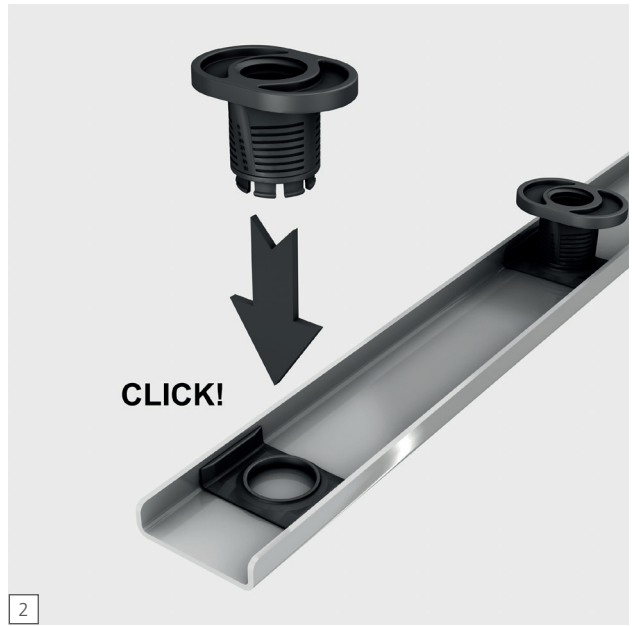
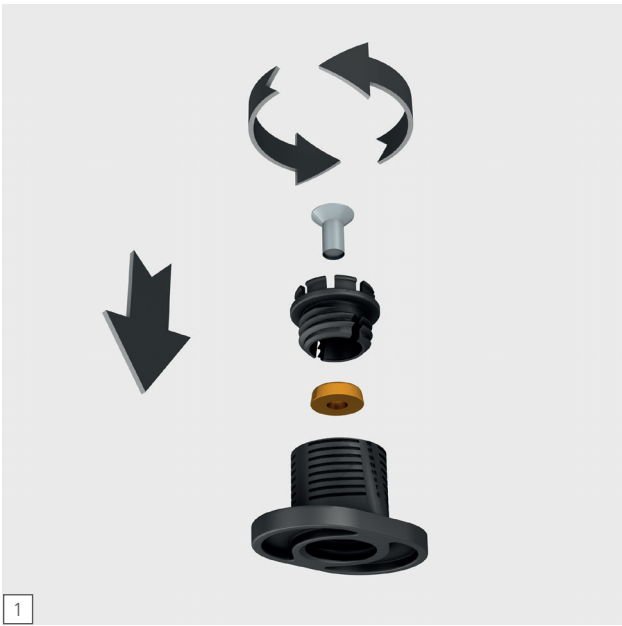


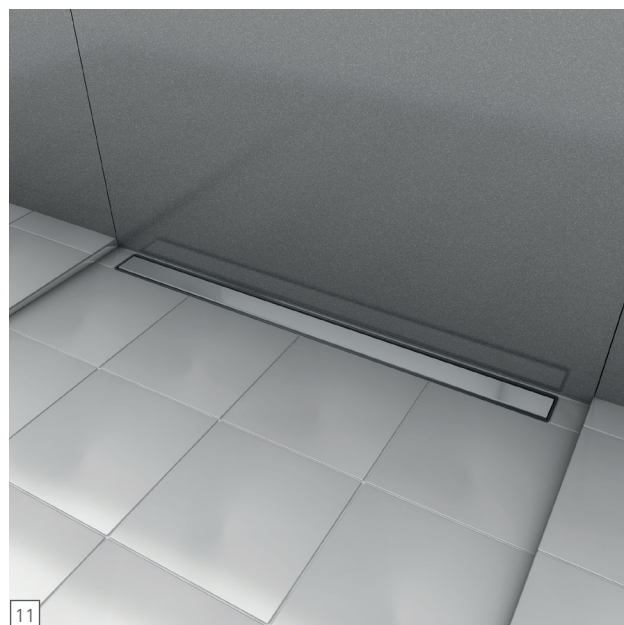
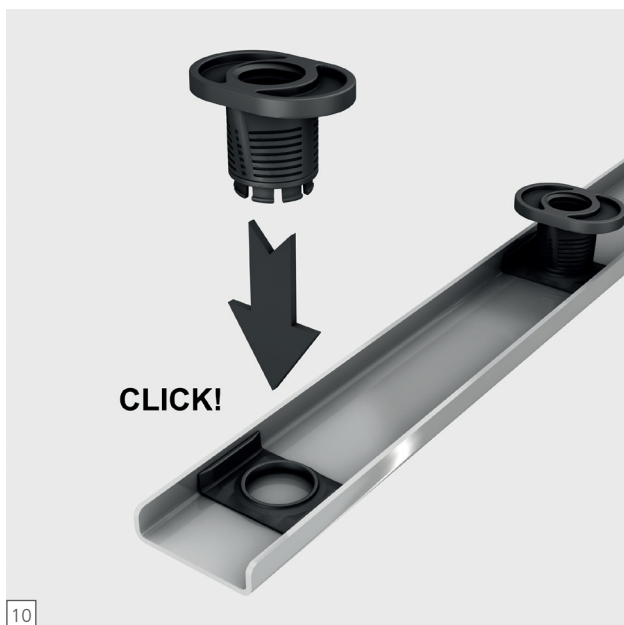
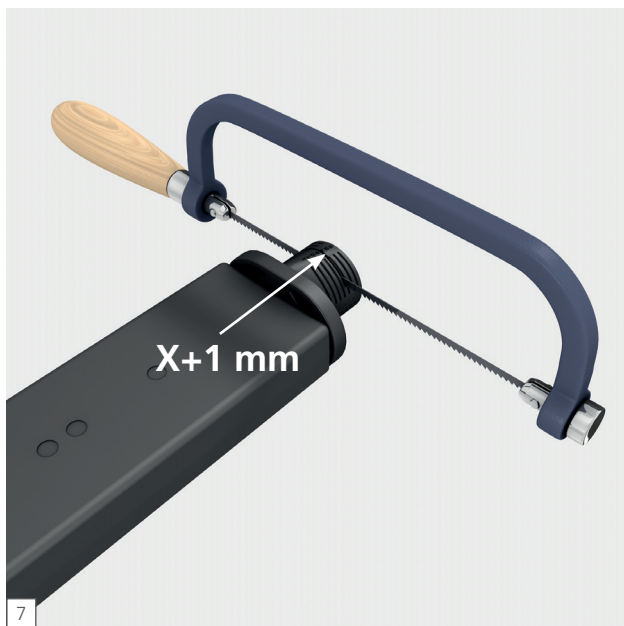
wedi Fundo Linear Drain Cover Assembly Instructions

Standard | linear channel cover standard | barrette standard
Exklusiv | linear channel cover exclusive | barrette exclusive









wedi GmbH
Hollefeldstraße 51
48282 Emsdetten
Deutschland

Telefon +49 2572 156-0
Telefax +49 2572 156-133

info@wedi.de
www.wedi.eu